

REV.	ECN NO.	DESCRIPTION	DESIGN	DATE
A		INITIAL	Kai	2018.03.29

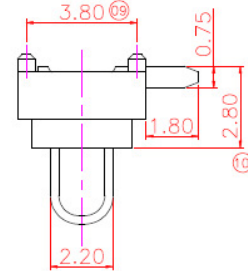
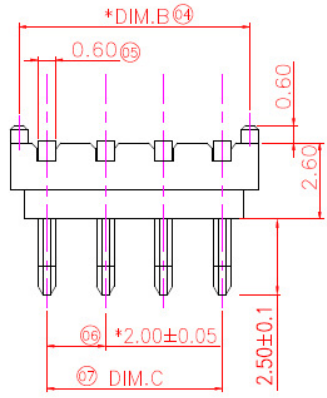
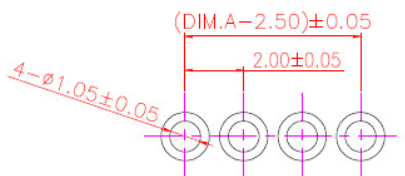
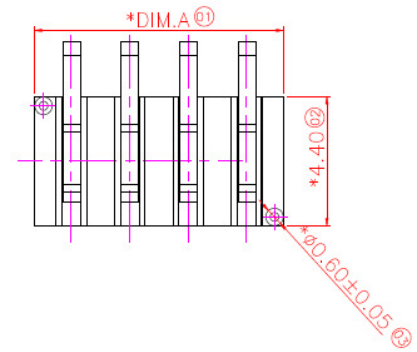


TABLE:

Pin/NO.	DIM.A	DIM.B	DIM.C
2Pin	4.50	3.90	2.00
3Pin	6.50	5.90	4.00
4Pin	8.50	7.90	6.00
5Pin	10.50	9.90	8.00
6Pin	12.50	11.90	10.00
7Pin	14.50	13.90	12.00
8Pin	16.50	15.90	14.00



Recommended P.C.Board Layout

NOTE:
 Material
 Insulator:Nylon 9T(UL94V-0)
 Contact:phosphor Bronze
 Contact Plated:Gold over Nickel or Tin
 Specification
 Rated voltage: 12V 30V
 Current rating: 3A 5A
 instant CURRENT:7A
 Contact Resistance:30MΩ
 Insulation Resistance:100MΩ
 Dielectric Voltage:1000V
 Operdting Temperature:-40°~105°

UNLESS OTHERWISE SPECIFED TOLERANCES				东莞市高迪电子有限公司			
DECIMALS:		ANGLES:		DWG NO.	PART NAME:		
DIM	TOL	DIM	TOL	DESIGN:	PART NO.		
X	±0.50	X	±2°	CHECK:	REV. UNIT: SHEET: ①		
X.X	±0.30	X.X	±1°	APPROVED	A	mm	1/1
X.XX	±0.20	X.XX	---				
X.XXX	±0.10	X.XXX	---				

ITEM	PART NAME	Q'TY	MATERIAL	DESCRIPTION	REMARK
②	HOUSING	1	LCP		BLACK
①	CONTACT A	2	PHOSPHOR BRONZE 0.20T	Au PLATED	